



GOES REBROADCAST (GRB) DOWNLINK SPECIFICATIONS FOR USERS

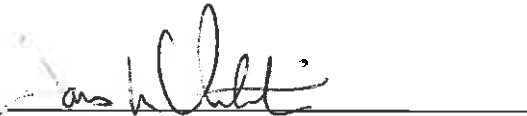
August 6, 2012



**U.S. Department of Commerce (DOC)
National Oceanic and Atmospheric Administration (NOAA)
NOAA Satellite and Information Service (NESDIS)
National Aeronautics and Space Administration (NASA)**

This page intentionally left blank.

GOES REBROADCAST (GRB) DOWNLINK SPECIFICATION FOR USERS



Jim Valenti
NOAA
GOES-R Ground Segment Project Manager
(Acting)

08/06/12
Date

Responsible Organization: GOES-R

ISSUE	CCR #	DATE	PAGES AFFECTED	DESCRIPTION
Original	N/A	08/06/2012	All	GSP is providing this document to the public for information purposes. CDRL SE-16 was formally accepted by the GSP in a letter dated July 27, 2012. The GSP subsequently found and corrected one typo on Page-6, Paragraph 4.1, changing the text from "Table 3.1" to "Table 4.1," found and corrected incorrect header dates on pages 1 through 9, and then labeled the file ...RevC-b.



**GOES REBROADCAST (GRB) DOWNLINK
SPECIFICATION FOR USERS**

**FOR
GEOSTATIONARY OPERATIONAL ENVIRONMENTAL
SATELLITE
R SERIES (GOES-R) GROUND SEGMENT PROJECT
ANTENNA SYSTEM DEVELOPMENT CONTRACT
CONTRACT NO: DG133E-10-CN-0229
DOCUMENT CONTROL NUMBER: 7038312
CDRL SE-16
REVISION C
14 JUNE 2012**

**PREPARED FOR
NATIONAL OCEANIC AND ATMOSPHERIC ADMINISTRATION
NOAA LIAISON OFFICE/NASA GSFC
GOES-R SERIES CODE 417
BLDG. 6, RM. C100
GREENBELT, MD 20771**

**PREPARED BY:
HARRIS CORPORATION
GOVERNMENT COMMUNICATIONS SYSTEMS DIVISION
P.O. BOX 9800
MELBOURNE, FLORIDA 32902-9800
CAGE NUMBER: 91417**

NON-EXPORT CONTROLLED

**THESE ITEM(S) / DATA HAVE BEEN REVIEWED IN ACCORDANCE
WITH THE INTERNATIONAL TRAFFIC IN ARMS REGULATIONS
(ITAR), 22 CFR PART 120.11, AND THE EXPORT ADMINISTRATION
REGULATIONS (EAR), 15 CFR 734(3)(b)(3), AND MAY BE
RELEASED WITHOUT EXPORT RESTRICTIONS.**



GRB DOWNLINK SPECIFICATION FOR USERS

FOR GEOSTATIONARY OPERATIONAL ENVIRONMENTAL SATELLITE R SERIES (GOES-R) GROUND SEGMENT PROJECT ANTENNA SYSTEM DEVELOPMENT CONTRACT

Prepared By: _____

Richard L. Abrahams
GOES-R GS Antenna System
RF/Microwave Engineering

Reviewed By: _____

Dan Davidson
GOES-R GS Antenna System
Chief Systems Engineer

Miranda Cooter
GOES-R GS Antenna System
Mission Assurance

Ken Lamm
GOES-R GS Antenna System
Security Manager

Mary Austin
GOES-R GS Antenna System
Configuration Management

Approved By: _____

Don Myers
GOES-R GS Antenna System
Project Manager

RECORD OF CHANGE

REVISION	DATE	DESCRIPTION
-	29 March 2011	Initial Release
A	14 July 2011	Revised per Government comments. Updated Table 3.1
B	26 March 2012	PTR-298: Revised per Government comments.
C	14 June 2012	

ITEMS TO BE RESOLVED

The following TBx terminology is used in this document:

1. TBD: the item is To Be Determined. There is missing information where the TBD is placed. The missing information is unknown at this time.
2. TBR: the item is To Be Resolved or To Be Reviewed. The item is subject to review for appropriateness and/or subject to revision. The TBR immediately follows the item To Be Resolved or Reviewed.
3. TBS: the item is To Be Supplied. There is missing information where the TBS is placed

TBS/TBD/TBR

ITEM #	LOCATION	DESCRIPTION OF ITEM
none		

TABLE OF CONTENTS

<u>Paragraph</u>	<u>Title</u>	<u>Page</u>
1.0	INTRODUCTION	1
1.1	Scope.....	1
2.0	SYSTEM DESCRIPTION	1
2.1	GOES Mission	1
2.2	GOES-R Mission Overview	1
2.3	GOES-R Ground Segment.....	2
2.3.1	GOES-R GS Antenna System.....	2
2.3.1.1	NSOF	5
2.3.1.2	WCDAS	5
2.3.1.3	RBU	5
2.4	Document Description	5
3.0	REFERENCED DOCUMENTS	6
4.0	RECEIVER SPECIFICATIONS	6
4.1	Simultaneous Links.....	6
4.2	Required Receive System Performance.....	7
4.3	Additional GRB Downlink Characteristics	7
5.0	ACRONYM LIST	9

LIST OF FIGURES

<u>Figure</u>	<u>Title</u>	<u>Page</u>
Figure 2.3	GOES-R Ground Segment Overview	2
Figure 2.3.1-1	Antenna Station.....	3
Figure 2.3.1-2	GOES-R GS Antenna System Architecture.....	4

LIST OF TABLES

<u>Table</u>	<u>Title</u>	<u>Page</u>
Table 3.1	Reference Documents	6
Table 4.1	L Band Downlink Signals Relative Levels	6
Table 4.2	Required GRB Receive System Performance.....	7
Table 4.3	GRB Downlink Signal Characteristics	7

1.0 INTRODUCTION

1.1 Scope

This CDRL provides GOES Rebroadcast (GRB) radio frequency downlink characteristics, to enable the user community to develop GRB receivers. The interfaces addressed in this document support the flow of data between the Wallops Command and Data Acquisition Station/Remote Backup facility (WCDAS/RBU), space segment (SS), and the GRB ground segments. This document establishes functional and performance requirements related to these links.

2.0 SYSTEM DESCRIPTION

2.1 GOES Mission

The National Oceanic and Atmospheric Administration (NOAA) operates a system of Geostationary Operational Environmental Satellites (GOES) to provide continuous weather imagery and monitoring of meteorological and space environment data to protect life and property across the United States. Two GOES satellites remain operational at all times providing coverage for the eastern United States and most of the Atlantic Ocean and the western United States and Pacific Ocean basin. An on-orbit spare satellite is maintained to permit rapid recovery from a failure of either of the operational satellites. GOES satellites provide critical atmospheric, oceanic, climatic and space weather products supporting weather forecasting and warnings, climatologic analysis and prediction, ecosystems management, and safe and efficient public and private transportation. The GOES satellites also provide a platform for solar and space environmental observations. Auxiliary communications services are provided for the rebroadcast of GOES full resolution imagery, data collection platform relay, low resolution imagery, emergency weather communications, and satellite-aided search and rescue

The GOES program will consist of three series of satellites; GOES-I/M, GOES-N/O/P and GOES-R. Four satellites make up the present GOES satellite constellation. The operational satellites include one GOES-I/M series (GOES-12) and three GOES-N/O/P series (13-15) satellites. GOES-15 is operational in the west operational position, at 135 degrees West longitude, and GOES-12 is in an operational position for South America at 60 degrees West longitude. The first GOES-N/O/P series satellite to become operational is GOES-13, which is in the east position at 75 degrees West longitude. GOES-14 is in on-orbit storage at 105 degrees West longitude. The GOES-I/M and -N/O/P series share the same generation primary instrument payload. The GOES-R series represents a generational change in both spacecraft and instrument capability, with initial launch capability in 2015. GOES-R is a collaborative development and acquisition effort between NOAA and the National Aeronautics and Space Administration (NASA). The acquisition of the end-to-end GOES-R system includes spacecraft, instruments, launch services, and all associated Ground Segment (GS) elements, including ground station equipment.

2.2 GOES-R Mission Overview

GOES-R series satellites will have two operational locations: 75 degrees West and 137 degrees West longitude. Any GOES-R series satellite stored on-orbit will be located at 105 degrees West longitude. The primary instrument is the Advanced Baseline Imager (ABI) that will provide hemispheric, synoptic, and mesoscale imagery for global and CONUS forecasting and severe weather warning. Secondary instruments include the Extreme ultraviolet and X-ray Irradiance Sensor (EXIS), Solar Ultraviolet Imager (SUVI), Space Environment In-Situ Suite (SEISS), Magnetometer (MAG), and Geostationary Lightning Mapper (GLM). Additionally, GOES-R will provide a set of communications services (Unique Payload Services) comprising the Data Collection System (DCS), Search-and-Rescue Satellite Aided Tracking

(SARSAT), High-Rate Information Transmission (HRIT), and Emergency Managers Weather Information Network (EMWIN, which is integrated with the HRIT data stream).

2.3 GOES-R Ground Segment

The GOES-R Ground Segment (GS) will operate from three sites. The NOAA Satellite Operations Facility (NSOF) in Suitland, MD will house the primary Mission Management (MM), Product Generation (PG), and Product Distribution (PD) functions. The Wallops Command and Data Acquisition Station (WCDAS) in Wallops, VA will provide space communications services and selected Ground Segment functions. The third site is a geographically isolated Remote Backup (RBU) facility located at Fairmont, WV. It will function as a completely independent backup for designated MM, PG and PD functions for the production and delivery of critical cloud and moisture imagery products, and GOES Rebroadcast

(GRB) data, and will be capable of remote operation from the NSOF and WCDAS. The RBU station will have visibility to all operational and on-orbit spare satellites. The Enterprise Management (EM) function supports GS components across all locations.

For GOES-R operations, the NSOF and WCDAS together comprise the “primary” sites and may be considered in certain respects as a single system. WCDAS provides the Earth-space communications functions, while primary console operations and higher-level product data functions are provided by NSOF. The RBU consolidates the mission-critical functionality of the NSOF and WCDAS into a single “backup” site that can operate completely independently. Figure 2.3 provides an overview of the Ground Segment within the GOES-R System.

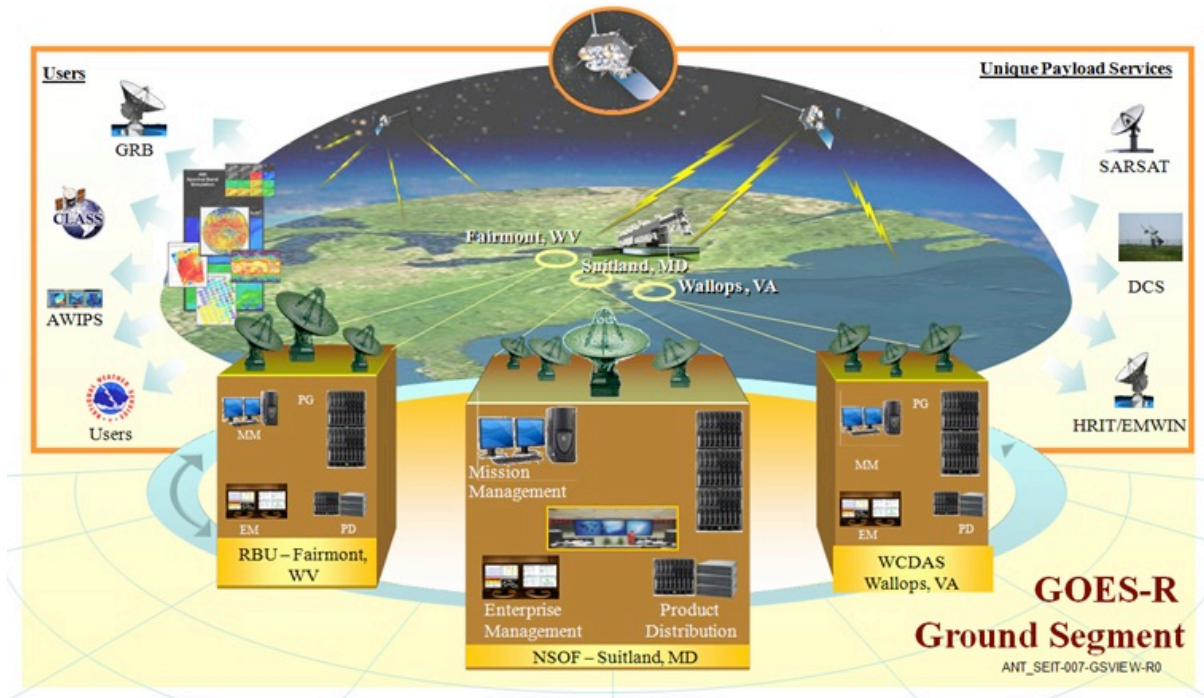


Figure 2.3 GOES-R Ground Segment Overview

2.3.1 GOES-R GS Antenna System

The Antenna System is part of the comprehensive GOES-R Ground Segment and supports the Mission Management Element. The Antenna System includes all components across all three sites required to

receive or transmit RF signals to/from the satellites through the Intermediate Frequency Distribution System (IFDS) interface demarcation point with the GS. The Ground Station resources consist of three new 16.4m hurricane-rated (HR) antenna stations at WCDAS, three new 16.4m HR antenna stations at RBU, and upgrades to four existing 9.1m GOES Variable (GVAR) receive-only systems at NSOF. Figure 2.3.1-1 provides a notional view of a 16.4m Antenna Station at site.

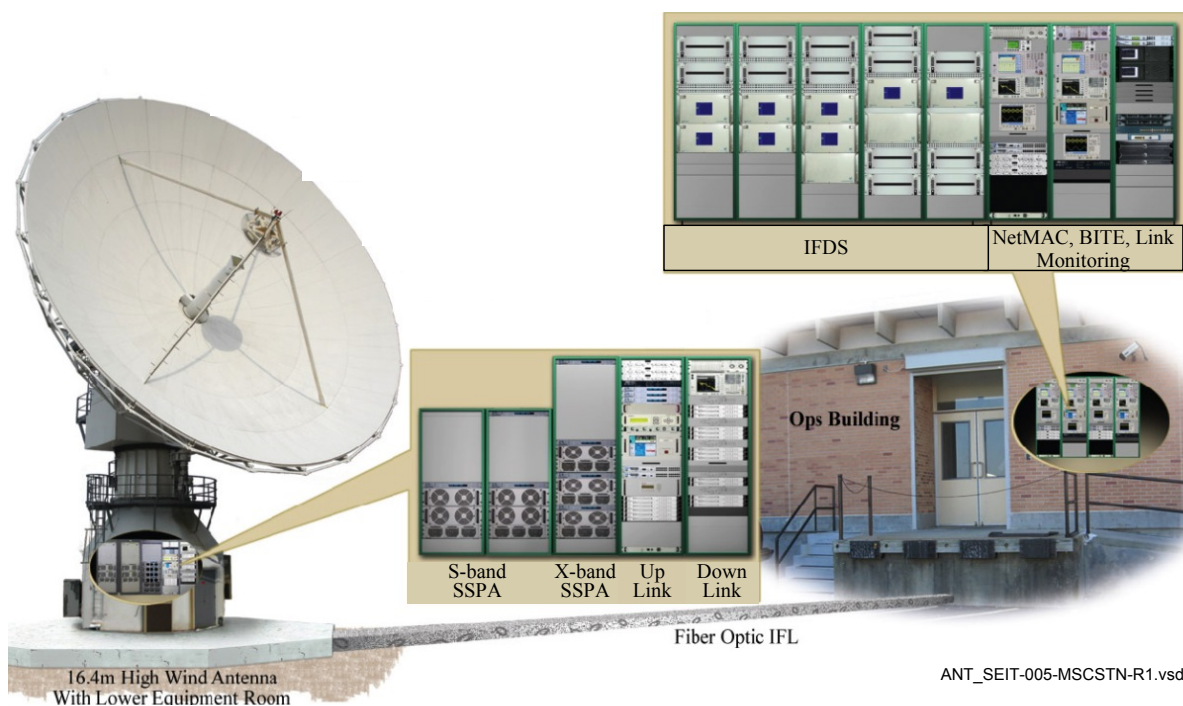
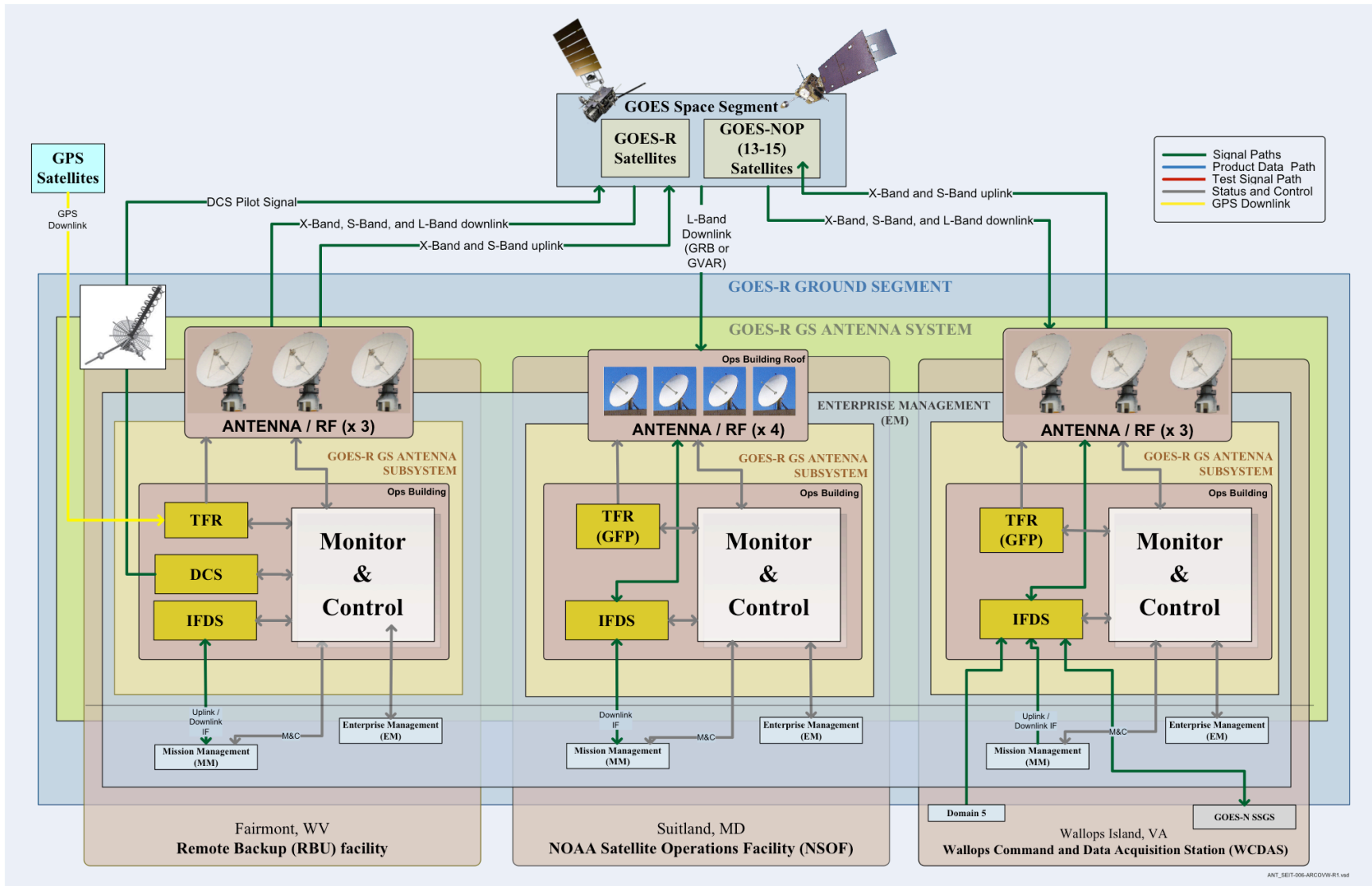


Figure 2.3.1-1 Antenna Station

The architecture is divided into three major functional subsystems: the Antenna Subsystem, the Monitor and Control (M&C) Subsystem and the Site Preparation and Construction Subsystem. The Antenna Subsystem consists of the components for the 16.4m Antenna (including Antenna Control, Tri-band feed design, reflectors, trusses, drive trains, and pedestal bases), the RF Uplink and Downlink functionality, Data Collection System (DCS), Intermediate Frequency Distribution Switch (IFDS) and Timing and Frequency Reference System (TFRS). The Antenna Subsystem also upgrades existing 9.1m antenna feed assemblies. The M&C Subsystem includes the functionality for Antenna Station Control, Link Monitoring, Built-In-Test/ Built-In-Test-Equipment (BIT/BITE), and Antenna System Interface Simulators (ASIS). The Site Preparation and Construction Subsystem consists of the foundation design, power interfaces, HVAC, physical security and safety components.

The integration of new GOES-R ground station resources into the GOES operational environment has the potential to conflict with ongoing operations. It is NOAA's overarching operational philosophy that the health & safety of on-orbit assets is paramount and national-critical meteorological data must not be interrupted. Therefore, no reduction in availability or gap in ground resources needed to ensure on-orbit spacecraft health & safety and data continuity is acceptable during the delivery, integration, test, and transition to operations of the GOES-R Antenna System. Figure 2.3.1-2 shows the Antenna System architecture components at each facility.



2.3.1.1 NSOF

The NSOF will be the primary operations site housing the GOES-R constellation mission operations, PG, EM, and PD functions and will house the majority of operations and product staff. All GOES-R series mission operations, from pre-launch testing through sustaining operations, will be performed from NSOF. The NSOF will also house the product distribution interface to the GOES-R point(s) of presence for network distribution of products to users. GOES rebroadcast data is received directly at the NSOF via four 9.1m receive-only antennas located on the roof of the NSOF facility. These antennas will be upgraded to receive GRB from GOES-R in addition to GVAR data.

2.3.1.2 WCDAS

The WCDAS will be the primary site for GOES-R Space/Ground RF communications. WCDAS will house the antenna suite required for dedicated links to each operational and stored spacecraft, the front-end equipment to acquire data and to uplink commands and data services, and the associated network interfaces to provide data to the GOES-R system. WCDAS will also process data through Level 1b to produce GRB for uplink to the satellite. In this way, WCDAS will be able to maintain the GRB generation and rebroadcast service in case communications to NSOF are interrupted. WCDAS will interface with and provide uplinks to the Unique Payload Services for broadcast. Also, the NSOF will have capabilities to perform remote operation of WCDAS functions.

WCDAS currently provides all primary space-ground communication functions and sensor data processing for the on-orbit GOES constellation.

2.3.1.3 RBU

Continuity of Operations (COOP) requirements drive the GOES-R to include a remote site that provides the critical functions of WCDAS and NSOF through the production and distribution of GRB and key product data. Operation of the RBU is the primary contributor to fulfilling COOP requirements and may also be used to enhance system availability. Although the new GOES-R antennas at RBU will be compatible with GOES-N/O/P (i.e. their feed design will support GOES-N/O/P RF characteristics), the RBU build-out will not initially include the ground processing equipment to provide backup for the GOES-N/O/P satellites.

2.4 Document Description

This document specifies required GOES Rebroadcast radio frequency downlink characteristics to enable the user community to design and develop compliant GRB receivers.

3.0 REFERENCED DOCUMENTS**Table 3.1 Reference Documents**

Document Number	Title
NTIA Redbook	Manual of Regulations and Procedures for Federal Radio Frequency Management, Jan 2008 ed, Sept 2009 rev.
ETSI EN 302 307, ver 1.2.1 (2009-08)	Digital Video Broadcasting (DVB); Second generation framing structure, channel coding and modulation systems for Broadcasting, Interactive Services, News Gathering and other broadband satellite applications (DVB-S2)
417-R-IRD-0002 Version 2.4 August 05, 2011	Interface Requirements Document (IRD) for the Geostationary Operational Environmental Satellite Series R (GOES-R) System, Space Segment (SS) to GOES Rebroadcast (GRB) Service (NASA document)

4.0 RECEIVER SPECIFICATIONS**4.1 Simultaneous Links**

The GRB service should meet all of its performance requirements simultaneously with all the other GOES-R services operating under normal conditions. GRB data on the downlink is split approximately equally between two circular polarized signals, Right Hand Circular Polarized (RHCP) and Left Hand Circular Polarized (LHCP). In addition, other GOES-R downlink signals are located nearby in frequency as shown in Table 4.1. The GRB receiver must therefore contain adequate filtering to decode the GRB signals in the presence of these other signals.

Table 4.1 L Band Downlink Signals Relative Levels

Signal Name	Center Frequency (MHz)	Approximate Bandwidth	Maximum Signal Level at the Antenna Relative to the GRB Signal (dB)	Notes
GRB (for reference)	1686.6	9.8 or 10.9 MHz	0.0	Reference
DCS (DCPR)	1679.9 (domestic) or 1680.2 (international)	400 kHz	-7.4	Aggregate (250 carriers)
CDA TLM	1693.0	80 kHz	-17.0	
HRIT/EMWIN	1694.1	1.2 MHz	-2.3	

4.2 Required Receive System Performance

The signals provided by the space segment are NTIA compliant. Minimum GRB receiver performance shall comply with the Table 4.2 and Table 4.3:

Table 4.2 Required GRB Receive System Performance

Parameter	Value
Input Center Frequency	1686.6 MHz
Polarization	Dual Circular: RHCP & LHCP
Polarization Isolation	≥ 27 dB
Phase Noise (integrated from 1 kHz to 12 MHz)	$< 2^\circ$ rms Double Sideband (DSB)
Bit Error Rate (BER) at Minimum Receive Flux Density in Table 4.3	$\leq 1 \times 10^{-10}$
Minimum Antenna System G/T	15.2 dB/K (at 5° elevation)
Long Term Frequency Accuracy	$< 1 \times 10^{-7}$
Short Term Frequency Stability (1 sec)	$< 1 \times 10^{-9}$

4.3 Additional GRB Downlink Characteristics

Table 4.3 GRB Downlink Signal Characteristics

Parameter	Description
Minimum Satellite EIRP at edge-of-coverage and end-of-life	60.5 dBmi
Primary Modulation*	8PSK
Alternate Modulation*	QPSK
Signal Format	DVB-S2
Output of the DVB-S2 Demodulator/Decoder	15.5 Mbps
Symbol rate for Primary Modulation and Coding, (each polarization),	7.825768 Mbps
Symbol rate for Alternate Modulation and Coding, (each polarization)	8.665938 Mbps
Necessary bandwidth per polarization, Primary Modulation and Coding	9.8 MHz

* Operational modulation will be selected between Primary and Secondary during spacecraft Post-Launch checkout and test

Parameter	Description
Necessary bandwidth per polarization, Alternate Modulation and Coding	10.9 MHz
Theoretical Eb/No for 1×10^{-10} BER, 8 PSK modulation	3.7 dB
Theoretical Eb/No for 1×10^{-10} BER, QPSK modulation	3.9 dB
Coding: Primary Modulation	2/3 rate + BCH Outer Code
Coding: Alternate Modulation	9/10 rate + BCH Outer Code
Block Length	64800 bits
Pilot Blocks	Not Used
Randomization	Per ETSI EN 302 307, sect.5.2.2
Transmit Data Filtering	Square Root Raised Cosine (SRRC) with $\alpha = 0.25$
Data Encoding	NRZ-L

5.0 ACRONYM LIST

The following acronyms are used throughout this document and are applicable to this user guide.

8PSK	8 Phase Shift Keying
BER	Bit Error Rate
bps	Bits per second
CCSDS	Consultive Committee for Space Data Systems
CDA TLM	Command Data Telemetry
dB	Decibel
DCPR	Data Collection Platform Reports
DCS	Data Collection System
DSB	Double Sideband
Eb/No	The energy per bit to noise power spectral density ratio
EMWIN	Emergency Managers Weather Information Network
ETSI	European Telecommunication Standards Institute
FEC	Forward Error Correction
G/T	Gain-to-Noise Temperature Ratio
HRIT	High Rate Information Transmission
IFDS	IF Data Switch
LDPC	Low Density Parity Check
Mbps	Megabits per second
MHz	Megahertz
NOAA	National Oceanic and Atmospheric Administration
NSOF	NOAA Satellite Operations Facility
NTIA	National Telecommunications and Information Administration
QPSK	Quadrature Phase Shift Keying
RBU	Remote Backup (facility)
SRRC	Square Root Raised Cosine
WCDAS	Wallops Command and Data Acquisition Station